



# INSTALLATION INSTRUCTIONS

Accessory  
**FRONT UNDER SPOILERS**  
P/N 08F01-TS8-100A

Application  
**2015 CIVIC**  
**2-DOOR**

Publications No.  
**VERSION 2**

Issue Date  
**DEC 2014**

## PARTS LIST

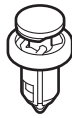
Left front under spoiler



Right front under spoiler



2 Bumper clips



6 Female clips



2 Alcohol swabs



## TOOLS AND SUPPLIES REQUIRED

Phillips screwdriver

Flat-tip screwdriver

Pushpin

Drill

3 mm, 6 mm, 8 mm, and 10 mm Drill bits

File

Masking tape

Diagonal cutters

Shop towel

Eye protection (face shield, safety goggles, etc.)

Blanket

Ruler

Tape

Ratchet

10 mm socket

*The following tool is available through the Honda Tool and Equipment Program. On the iN, click on: Service > Service Bay > Tool and Equipment Program, then enter the number under "Search". Or, call 888-424-6857.*

- Rubber Roller (T/N MHLE54D)

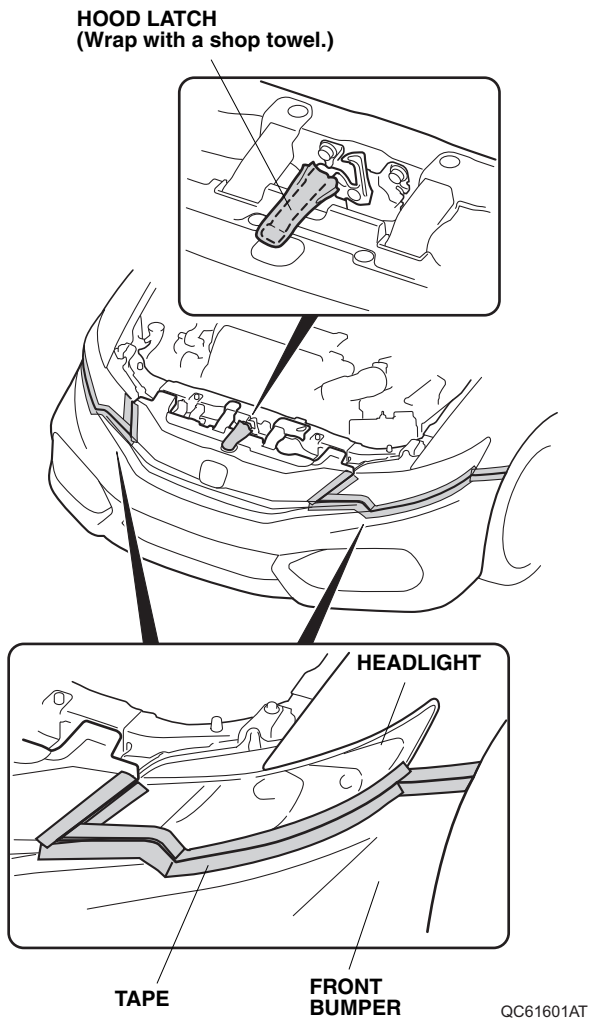
## INSTALLATION

**Customer Information:** The information in this installation instruction is intended for use only by skilled technicians who have the proper tools, equipment, and training to correctly and safely add equipment to your vehicle. These procedures should not be attempted by "do-it-yourselfers."

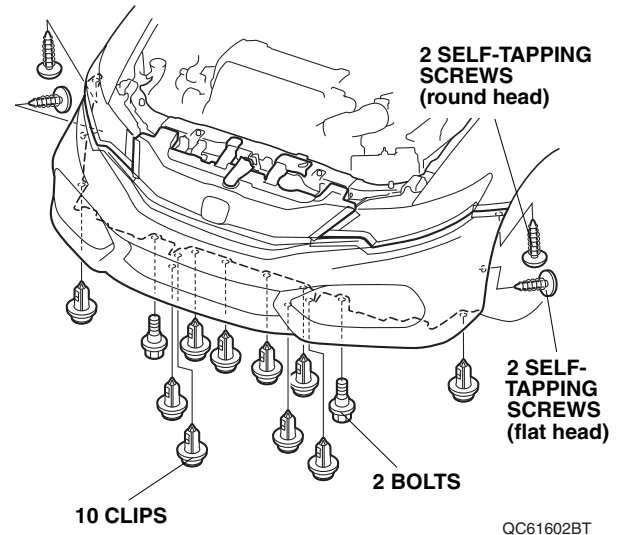
### NOTE:

- Be careful not to damage the body paint finish.
- This front under spoilers kit should be installed only if the ambient air temperature is 15°C (60°F) or above.
- To allow the adhesive to cure, do not wash the vehicle for 24 hours. Please advise the customer.

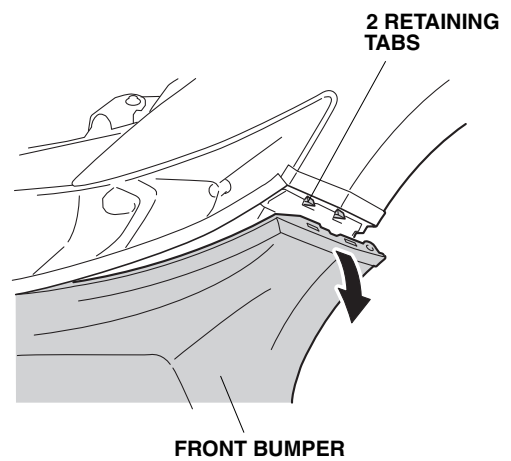
1. Disconnect the negative cable from the battery.
2. Remove the front bumper:
  - On each side, attach tape to the areas shown.
  - Wrap a shop towel around the hood latch.



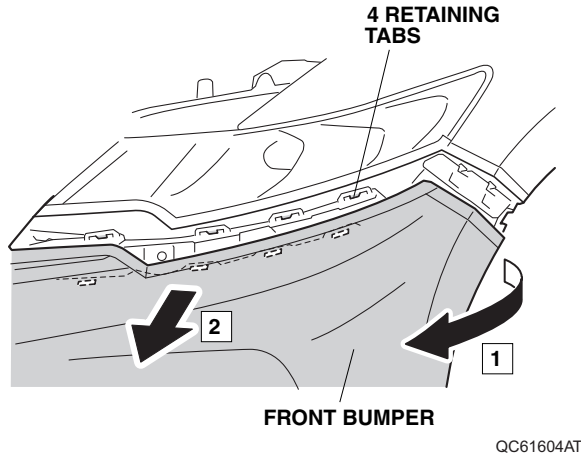
- Remove the 4 self-tapping screws, 10 clips, and 2 bolts.



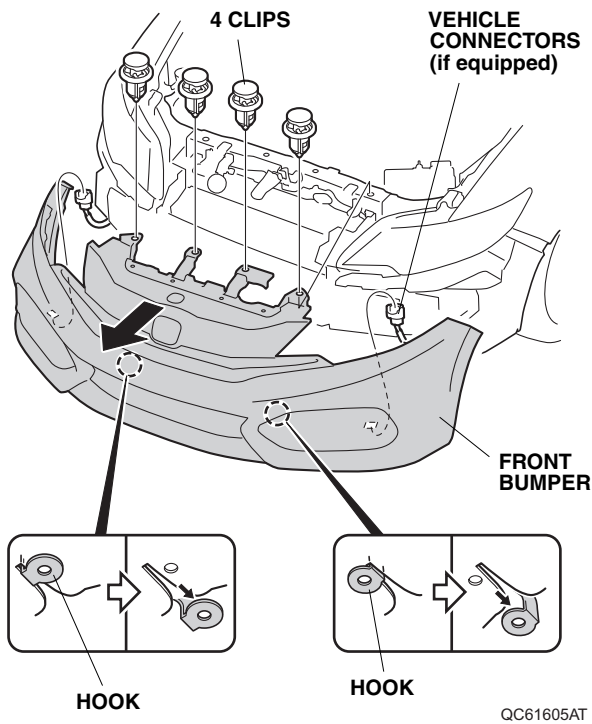
- On each side, release two retaining tabs.



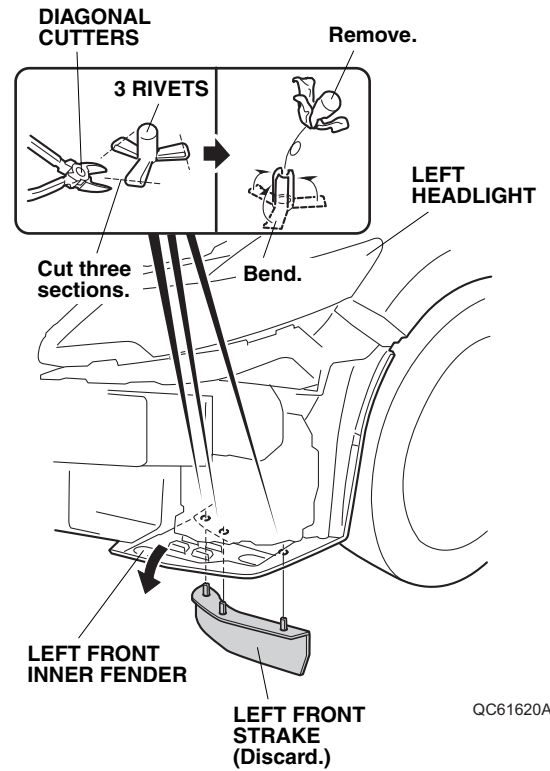
- On each side, release four retaining tabs.



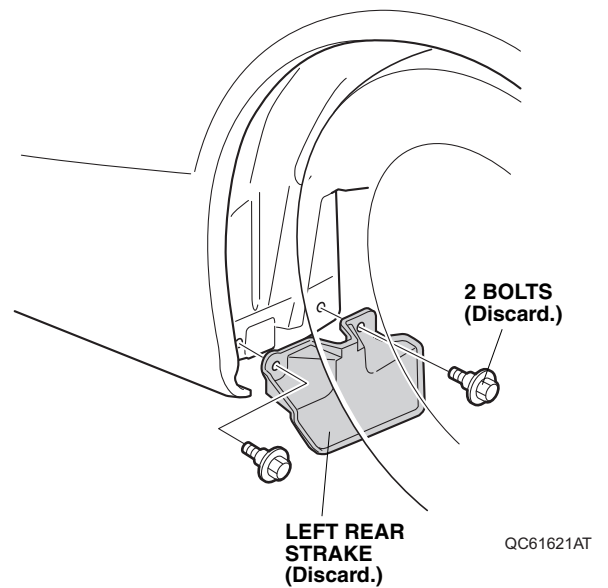
- With the help of an assistant, remove the front bumper (four clips and unplug the vehicle connectors). Place the front bumper on a blanket to prevent damage.



- Cut three rivets on the left front inner fender, remove and discard the left front strake.



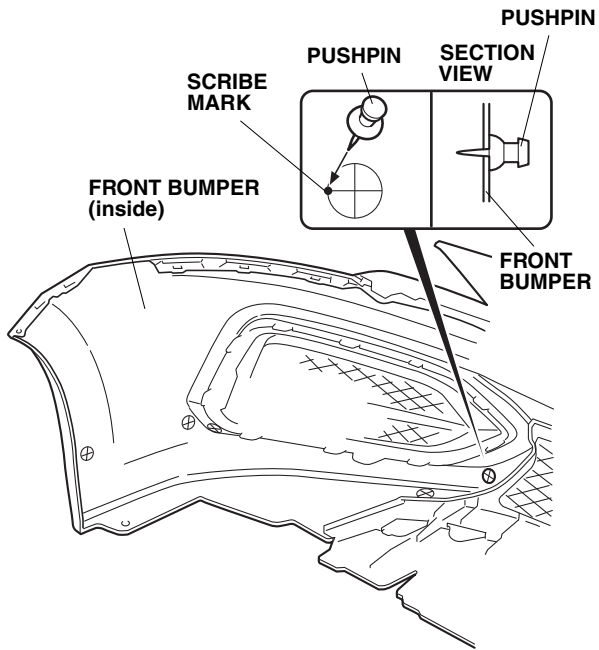
- Remove and discard the left rear strake (two bolts).



- Repeat steps 3 and 4 on the right side of the vehicle.

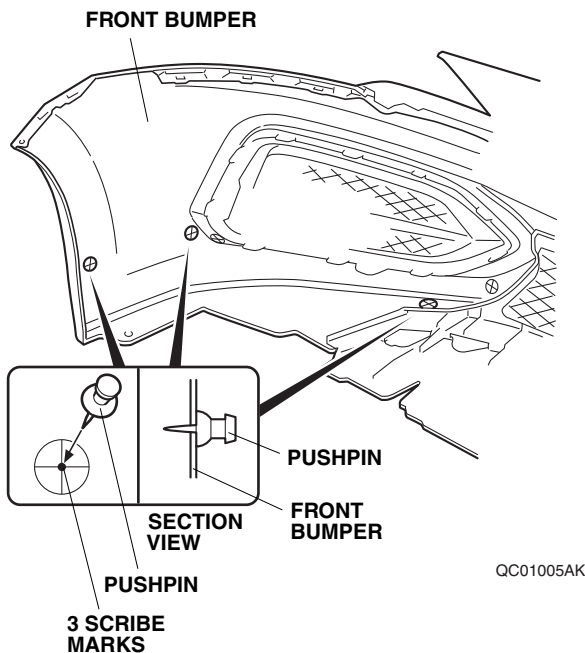
## Installing the Front Under Spoilers

6. Using a pushpin, pierce one scribe mark on the front bumper as shown.



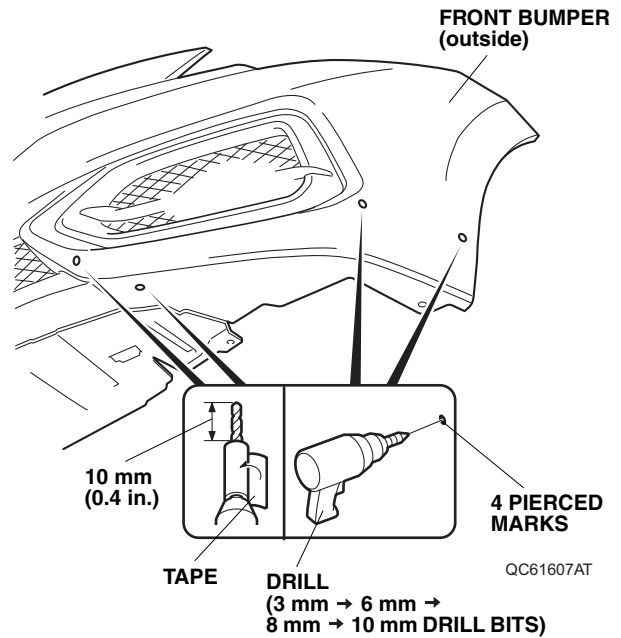
QC61606BT

7. Using a pushpin, pierce three scribe marks on the front bumper as shown.



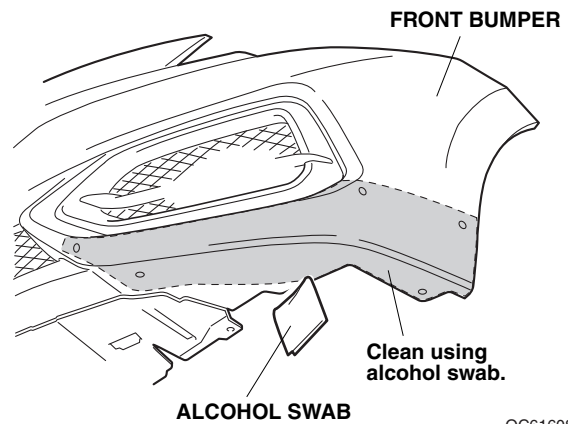
QC01005AK

8. While wearing eye protection, drill four pierced marks to 10 mm.
- Wrap tape around each drill bit 10 mm (0.4 in.) away from the tip or use a drill stop.
  - First drill with a 3 mm drill bit, and then with a 6 mm drill bit, with an 8 mm drill bit, and finish with a 10 mm drill bit.



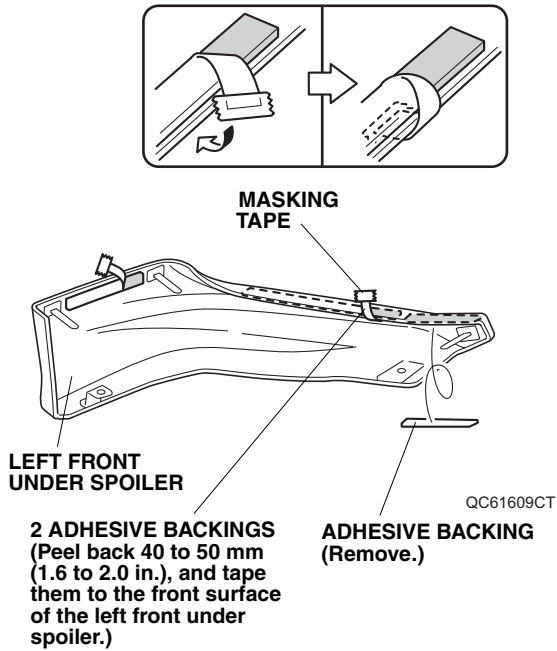
QC61607AT

9. Using a file, remove any burrs from the holes.
10. Using alcohol swab, thoroughly clean the area where the left front under spoiler will attach.

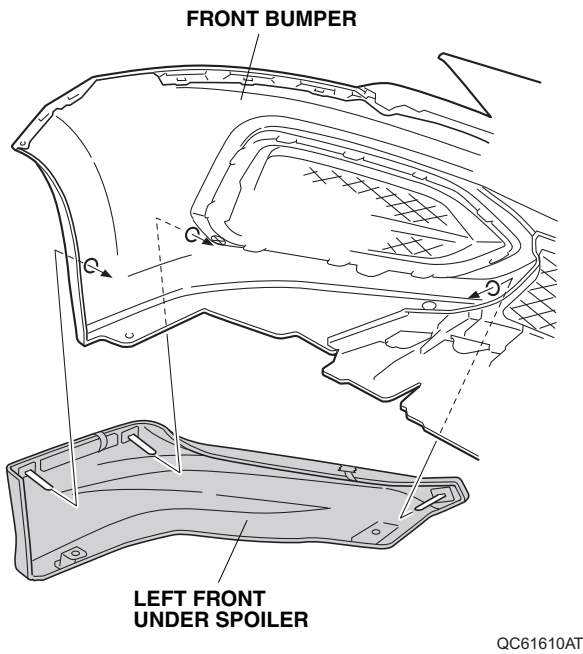


QC61608BT

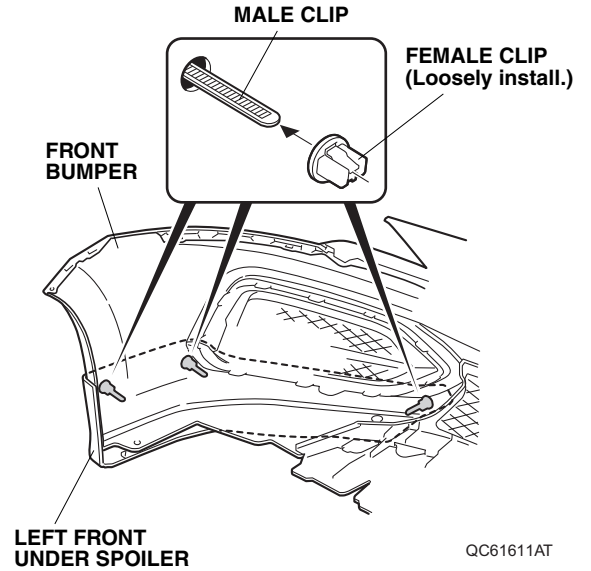
11. Peel back about 40 to 50 mm (1.6 to 2.0 in.) of adhesive backing from each adhesive strip, and tape the ends to the front surface of the left front under spoiler.



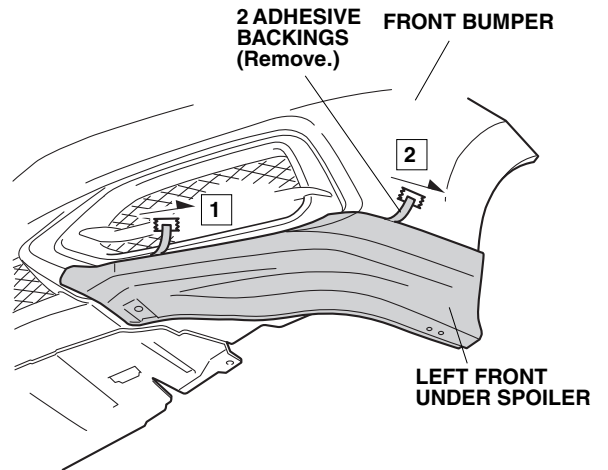
12. Remove one adhesive backing from the left front under spoiler.
13. Install the left front under spoiler to the front bumper.



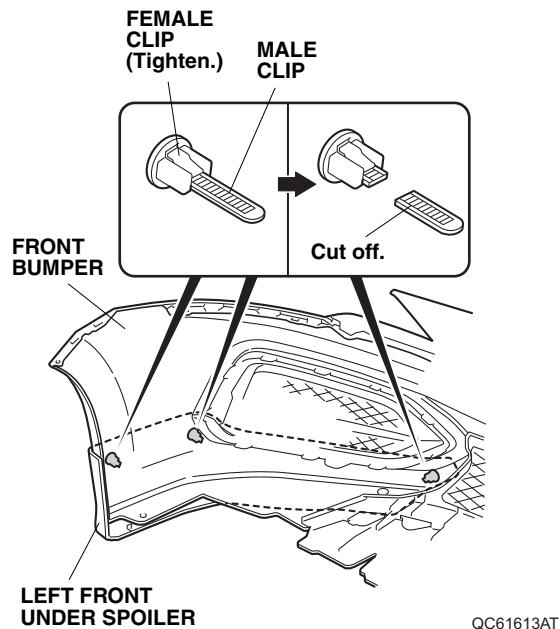
14. Loosely install a female clip on each male clip.



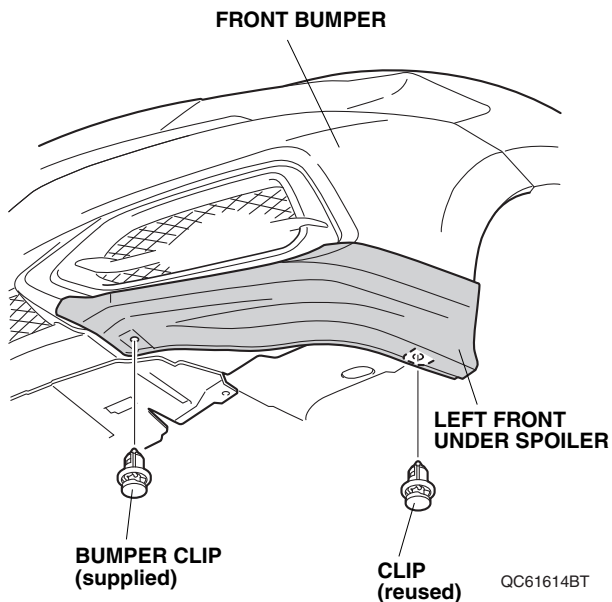
15. Remove two adhesive backings in the order shown. Press the left front under spoiler firmly against the front bumper with the palms of your hands to adhere the left front under spoiler.



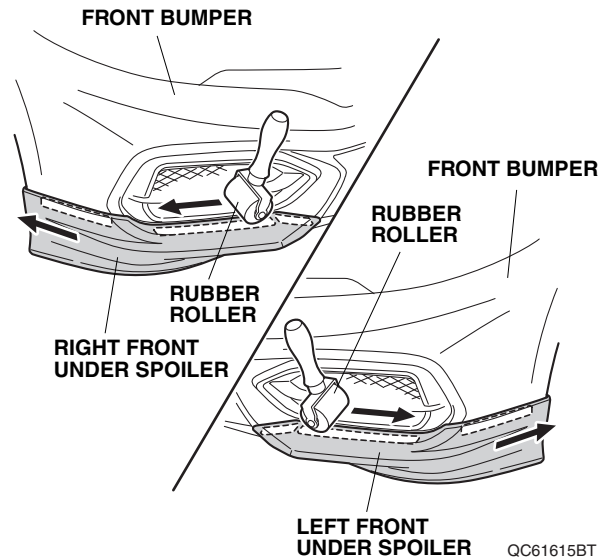
16. Tighten three female clips loosely installed in step 14.  
NOTE: Do not push the female clips too tightly, or they may deform the left front under spoiler. Readjust the female clips, if necessary.



17. Using diagonal cutters, cut the excess off of each male clip.
18. Repeat steps 6 through 17 to install the right front under spoiler.
19. With the help of an assistant, reinstall the front bumper.



20. Secure the left front under spoiler to the front bumper with one bumper clip and one clip removed in step 2 on each side.
21. Using a rubber roller, apply firm pressure while rolling to set the adhesive. Apply firm pressure especially at the ends.



22. Check that all wire harnesses are routed properly and all connectors are plugged in.
23. Reconnect the negative cable to the battery.
24. Press and hold the radio power button for two seconds to restore the radio and navi (if equipped) system functions.
25. Reset the clock.
26. Restore the systems back to normal operation as described in the Service Manual if necessary.